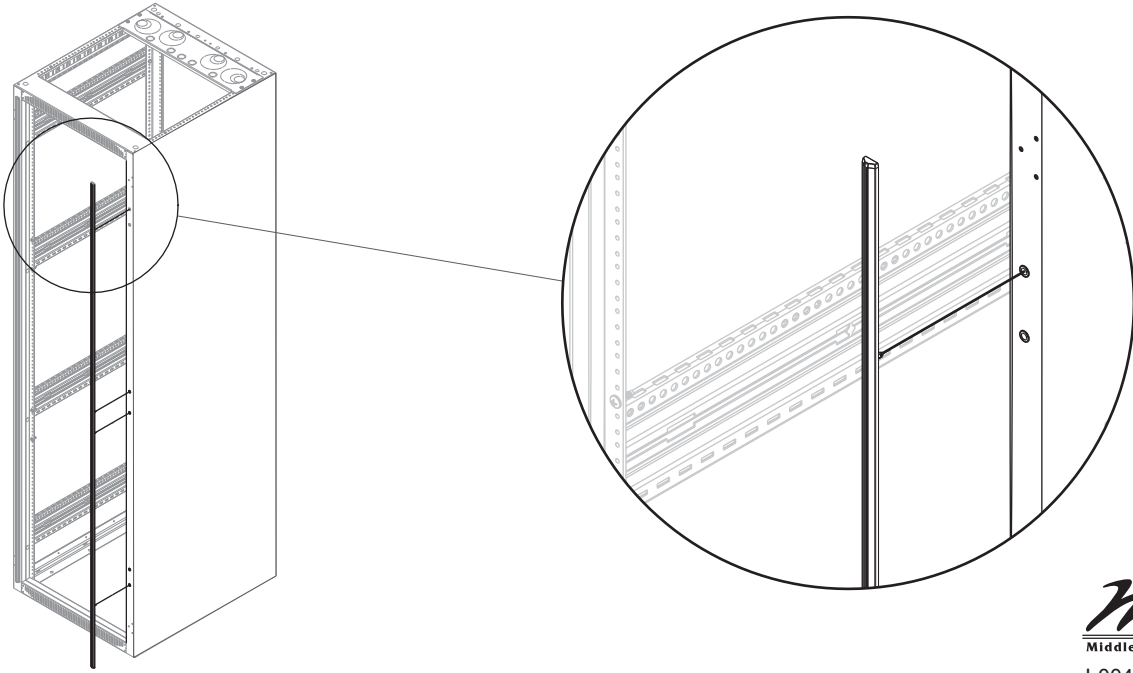


BGR SERIES TRIM KIT

INSTALLATION

NOTE: There is a top and bottom to the trim strip. The top/bottom can be determined by lining up the trim strip to the mounting holes in the BGR.

- 1) Line up the factory-installed clips on the trim strip with the holes on the BGR rack. Gently press into place until fully secured. The clips may need slight adjustment for alignment. When moving the clips, use gentle pressure. DO NOT squeeze the clips tightly. Small pliers are recommended to perform this function.



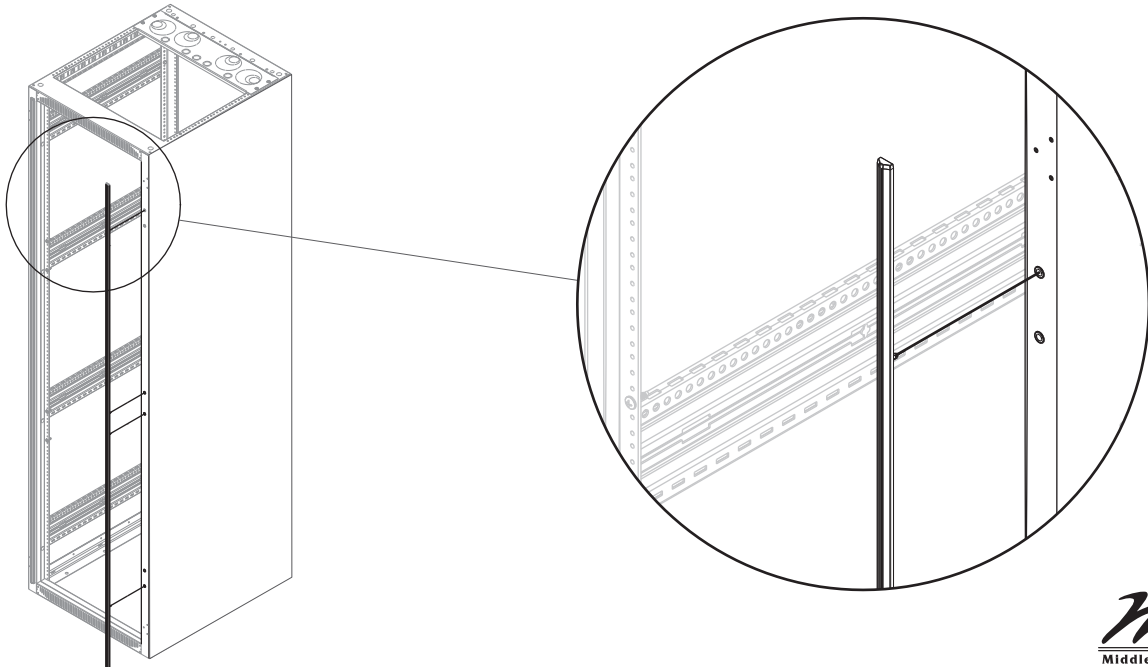

Middle Atlantic Products
I-00480 Rev A

BGR SERIES TRIM KIT

INSTALLATION

NOTE: There is a top and bottom to the trim strip. The top/bottom can be determined by lining up the trim strip to the mounting holes in the BGR.

- 1) Line up the factory-installed clips on the trim strip with the holes on the BGR rack. Gently press into place until fully secured. The clips may need slight adjustment for alignment. When moving the clips, use gentle pressure. DO NOT squeeze the clips tightly. Small pliers are recommended to perform this function.

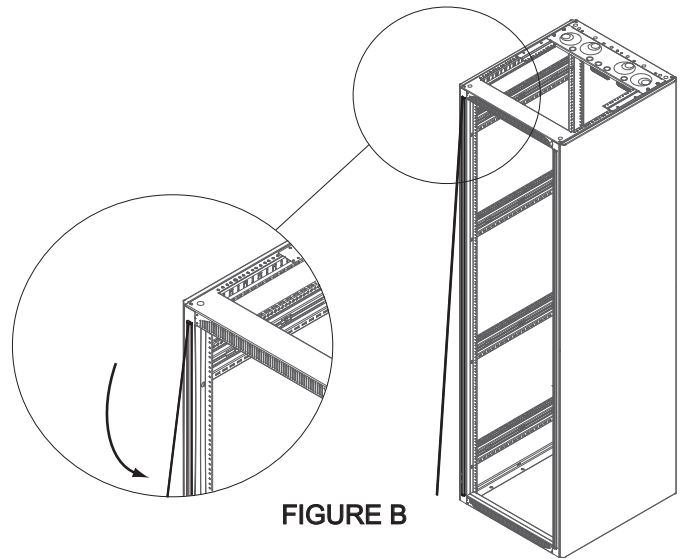



Middle Atlantic Products
I-00480 Rev A

REPLACING ACCENT TRIM

Accent trim can be replaced with provided color options.

- 1) Gently remove factory-installed accent trim by using a thin tool to lift it out of groove.
- 2) Install new accent trim by inserting one end into the top of the center groove. Slowly press into the trim groove while holding the accent trim in position. **DO NOT stretch while pressing into the groove to prevent sliding. (FIGURE B)**



WARRANTY

Middle Atlantic Products, Inc. (the "Company") warrants the BGR-TRIM to be free from defects in material or workmanship under normal use and conditions for the lifetime of the product.

The Company's entire liability to the purchaser, and the purchaser's (or any other party's) sole and exclusive remedy, under this warranty shall be limited, at the Company's option, to either (a) return of and refund of the price paid for, or (b) repair or replacement at the Company's factory of the products purchased, or any part or parts thereof, which the Company has determined to be defective after inspection thereof at the Company's factory. This warranty does not cover damage due to acts of God, accident, misuse, abuse or negligence by parties other than the Company, or any modification or alteration of the products. In addition, this warranty does not cover damage due to improper handling, assembly, installation or maintenance.

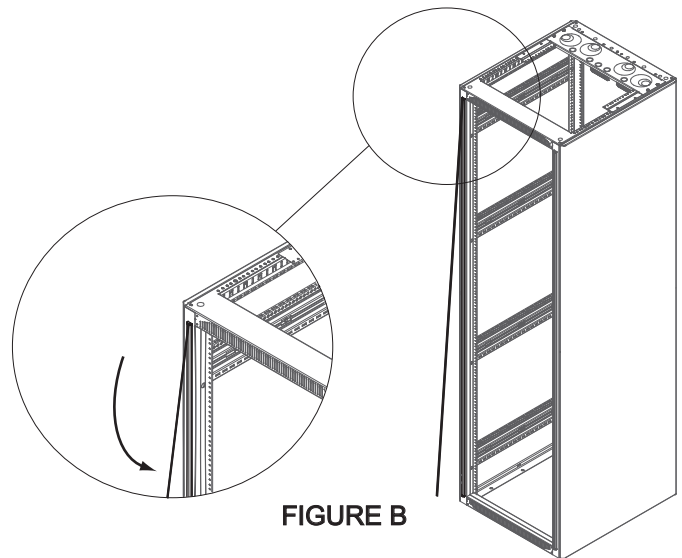
THIS WARRANTY IS IN LIEU OF ALL OTHER WARRANTIES OF ANY KIND, EITHER EXPRESSED OR IMPLIED, INCLUDING, BUT NOT LIMITED TO, IMPLIED WARRANTIES OF MERCHANTABILITY AND FITNESS FOR A PARTICULAR PURPOSE.

TO THE MAXIMUM EXTENT PERMITTED BY APPLICABLE LAW, IN NO EVENT SHALL THE COMPANY BE LIABLE FOR ANY SPECIAL, INCIDENTAL, INDIRECT, OR CONSEQUENTIAL DAMAGES WHATSOEVER (INCLUDING, WITHOUT LIMITATION, DAMAGES FOR LOSS OF BUSINESS PROFITS, BUSINESS INTERRUPTION OR ANY OTHER PECUNIARY LOSS) ARISING OUT OF THE USE OF THE PRODUCTS PURCHASED, EVEN IF THE COMPANY HAS BEEN ADVISED OF THE POSSIBILITY OF SUCH DAMAGES. THE COMPANY'S LIABILITY TO THE PURCHASER (OR ANY OTHER PARTY) HEREUNDER, IF ANY, SHALL IN NO EVENT EXCEED THE PURCHASE PRICE OF THE PRODUCTS PAID TO THE COMPANY.

REPLACING ACCENT TRIM

Accent trim can be replaced with provided color options.

- 1) Gently remove factory-installed accent trim by using a thin tool to lift it out of groove.
- 2) Install new accent trim by inserting one end into the top of the center groove. Slowly press into the trim groove while holding the accent trim in position. **DO NOT stretch while pressing into the groove to prevent sliding. (FIGURE B)**



WARRANTY

Middle Atlantic Products, Inc. (the "Company") warrants the BGR-TRIM to be free from defects in material or workmanship under normal use and conditions for the lifetime of the product.

The Company's entire liability to the purchaser, and the purchaser's (or any other party's) sole and exclusive remedy, under this warranty shall be limited, at the Company's option, to either (a) return of and refund of the price paid for, or (b) repair or replacement at the Company's factory of the products purchased, or any part or parts thereof, which the Company has determined to be defective after inspection thereof at the Company's factory. This warranty does not cover damage due to acts of God, accident, misuse, abuse or negligence by parties other than the Company, or any modification or alteration of the products. In addition, this warranty does not cover damage due to improper handling, assembly, installation or maintenance.

THIS WARRANTY IS IN LIEU OF ALL OTHER WARRANTIES OF ANY KIND, EITHER EXPRESSED OR IMPLIED, INCLUDING, BUT NOT LIMITED TO, IMPLIED WARRANTIES OF MERCHANTABILITY AND FITNESS FOR A PARTICULAR PURPOSE.

TO THE MAXIMUM EXTENT PERMITTED BY APPLICABLE LAW, IN NO EVENT SHALL THE COMPANY BE LIABLE FOR ANY SPECIAL, INCIDENTAL, INDIRECT, OR CONSEQUENTIAL DAMAGES WHATSOEVER (INCLUDING, WITHOUT LIMITATION, DAMAGES FOR LOSS OF BUSINESS PROFITS, BUSINESS INTERRUPTION OR ANY OTHER PECUNIARY LOSS) ARISING OUT OF THE USE OF THE PRODUCTS PURCHASED, EVEN IF THE COMPANY HAS BEEN ADVISED OF THE POSSIBILITY OF SUCH DAMAGES. THE COMPANY'S LIABILITY TO THE PURCHASER (OR ANY OTHER PARTY) HEREUNDER, IF ANY, SHALL IN NO EVENT EXCEED THE PURCHASE PRICE OF THE PRODUCTS PAID TO THE COMPANY.